

A04d

LOW PROFILE SINGLE ROW IDC SOCKET

PITCH: 2.54mm

SPECIFICATIONS

Material

Insulator : PBT, glass reinforced, rated UL 94V-0

Contact : Phosphor Bronze

Electrical

Current Rating : 1 Amp

Contact Resistance : 30 mΩ max.

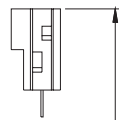
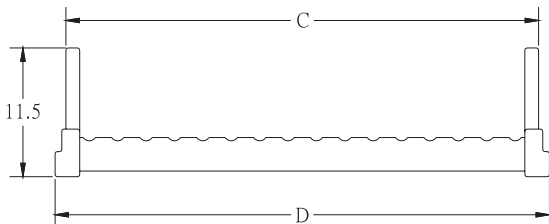
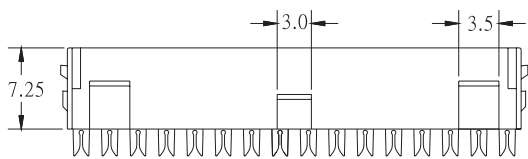
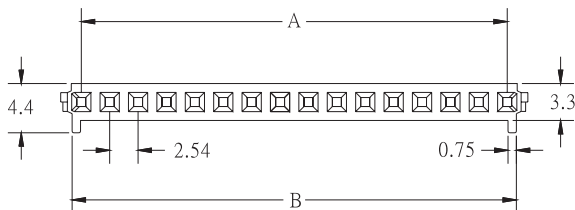
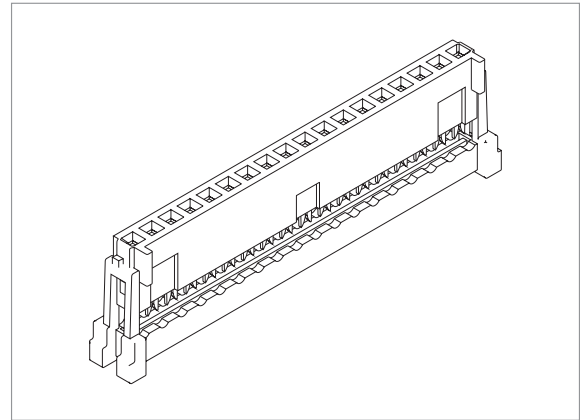
Insulation Resistance : 3000 MΩ min.

Dielectric Withstanding Voltage : 500V AC for 1minute

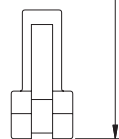
Operating Temperature : -40°C to +105°C

◆ Terminated with 2.54mm pitch flat ribbon cable.

◆ Mating Suggestion : C69 & C70 series.



(11.5)
TERMINATED
HEIGHT



POSITION	A	B	C	D
4	7.62	8.99	11.80	13.54
5	10.16	11.53	14.34	16.08
6	12.70	14.07	16.88	18.62
7	15.24	16.64	19.42	21.16
8	17.78	19.15	21.96	23.70
9	20.32	21.69	24.50	26.24
10	22.86	24.23	27.04	28.78
11	25.40	26.77	29.58	31.32
12	27.94	29.31	32.12	33.86
13	30.48	31.85	34.66	36.40
14	33.02	34.39	37.20	38.94
15	36.56	36.93	39.74	41.48
16	38.10	39.47	42.28	44.02
17	40.64	42.01	44.82	46.56
18	43.18	44.55	47.36	49.10
19	45.72	47.09	49.90	51.64
20	48.26	49.63	52.44	54.18
21	50.80	52.17	54.98	56.72
22	53.34	54.71	57.52	59.26
23	55.88	57.25	60.06	61.80
24	58.42	59.79	62.60	64.34

HOW TO ORDER:

A04d - 1 - 2 - 3 - 4

1.NO. OF CONTACT	2.CONTACT MATERIAL	3.CONTACT PLATING	4.INSULATOR COLOR
04 05 06 07 08 09 10 11 12 13 14 15 16 17 18 19 20 21 22 23 24	B: PHOSPHOR BRONZE	T: TIN PLATED S: SELECTIVE G: GOLD FLASH A: 5u" INCH GOLD B: 10u" INCH GOLD C: 15u" INCH GOLD D: 30u" INCH GOLD	2. GREY