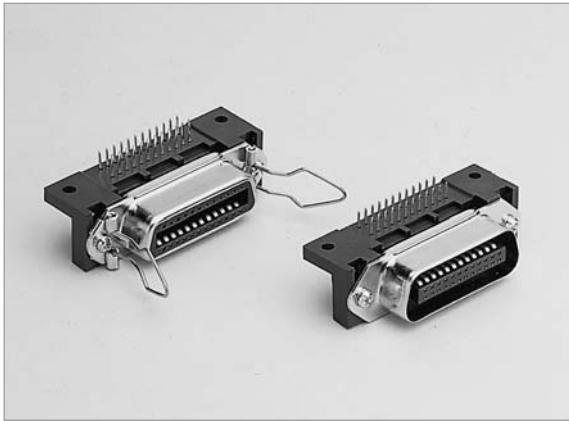


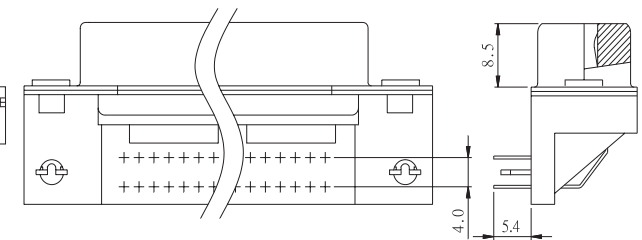
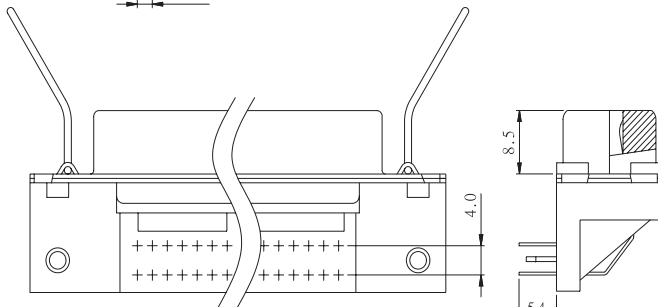
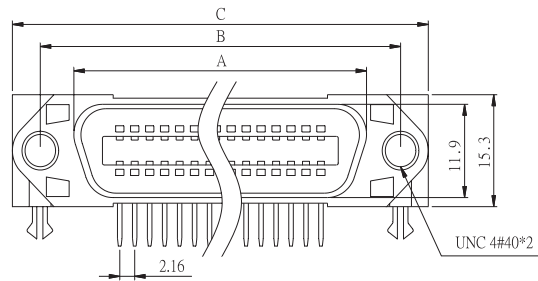
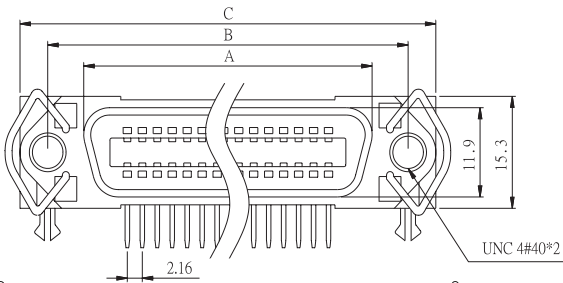
# F03

## CENTRONIC PCB RIGHT ANGLE



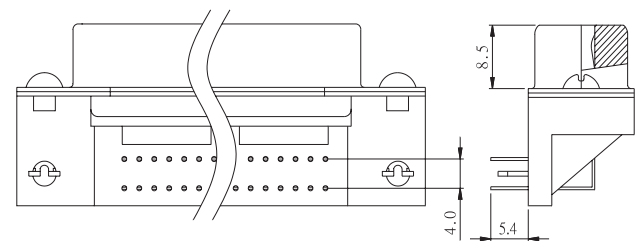
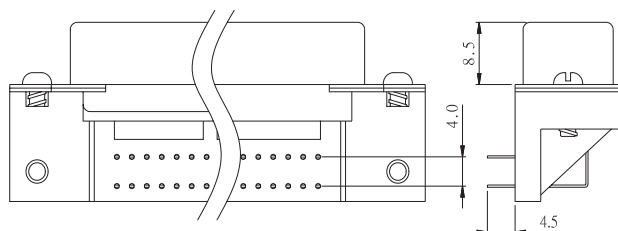
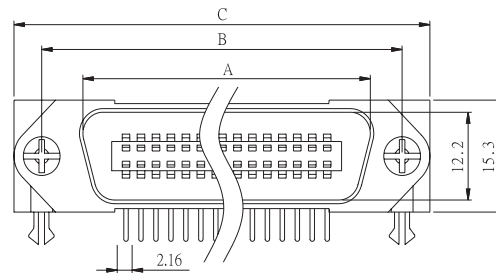
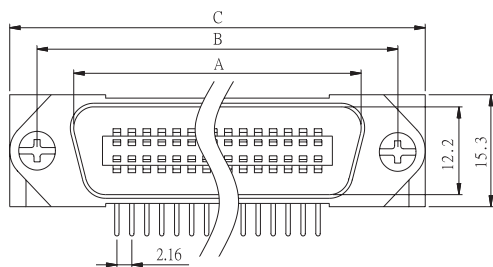
POSITION	A	B	C
14F	25.20	36.00	43.90
24F	36.00	46.80	54.70
36F	48.90	59.70	67.70
50F	64.10	74.90	82.80

POSITION	A	B	C
14M	25.50	36.00	43.90
24M	36.30	46.80	54.70
36M	49.30	59.70	67.70
50M	64.40	74.90	82.80



RIVET L-SHAPE (FEMALE)

RIVET BOARDLOCK (FEMALE)

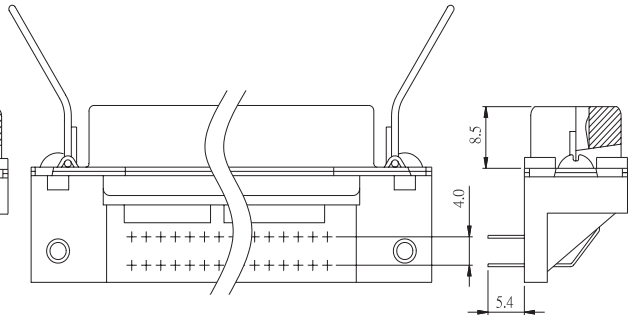
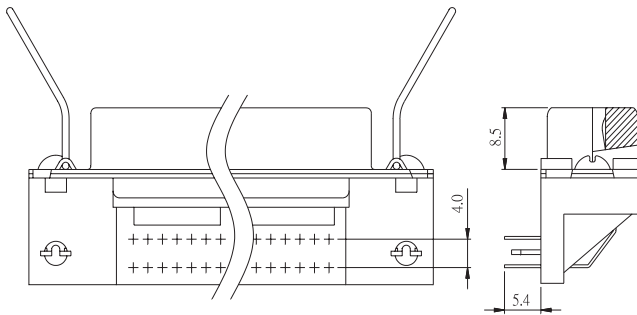
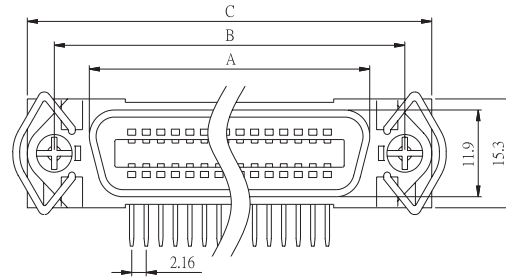
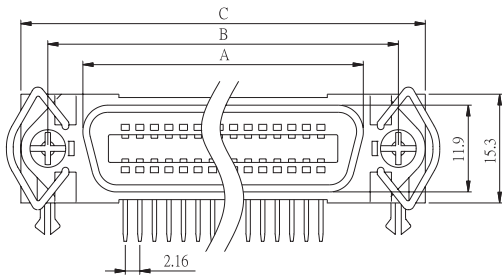


SCREW L-SHAPE (MALE)

SCREW BOARDLOCK (MALE)

# F03

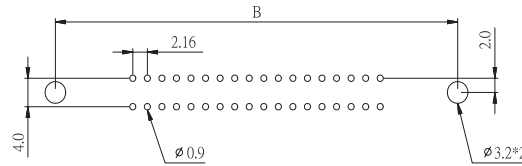
## CENTRONIC PCB RIGHT ANGLE



SCREW BOARDLOCK W/LATCH (FEMALE)

SCREW L-SHAPE W/LATCH (FEMALE)

### P.C.BOARD LAYOUT PATTERN



FEMALE/MALE

### HOW TO ORDER:

F03 -  1 -  2 -  3 -  4 -  5 -  6 -  7

F

1.NO. OF CONTACT	2.CONTACT TYPE	3.CONTACT PLATING	4.SHELL PLATING
14 24 36 50	M: MALE F: FEMALE	T: TIN PLATED S: SELECTIVE G: GOLD FLASH A: 5u" INCH GOLD B: 10u" INCH GOLD C: 15u" INCH GOLD D: 30u" INCH GOLD	N: NICKEL
5.MOUNTING METHOD	6.ACCESSORIES	7.INSULATOR COLOR	
A: SCREW W/ BOARDLOCK B: SCREW W/L-SHAPE C: RIVET W/ BOARDLOCK D: RIVET W/L-SHAPE	A: WITH LATCH B: NON ACCESSORIES	1. BLACK 3. BLUE	