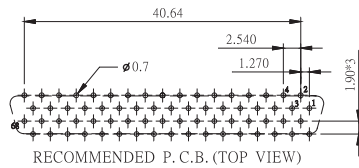
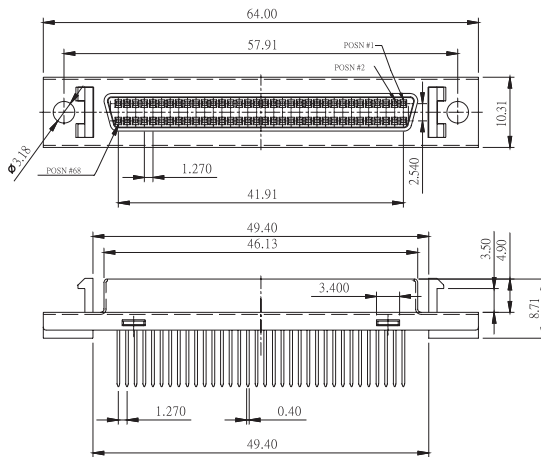
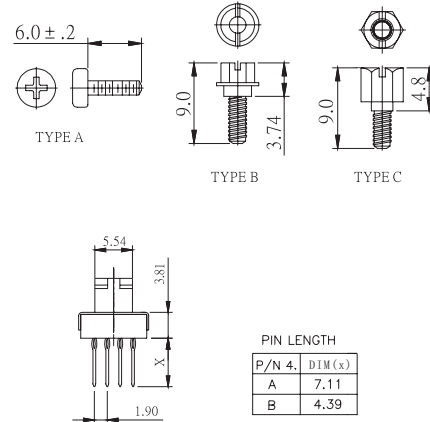


E33 SCSI-II CONNECTOR PRESS-FIT STRAIGHT



ACCESSORIES



E

HOW TO ORDER:

E33 - - - - - - - - - -

1.NO. OF CONTACT	2.CONTACT TYPE	3.CONTACT PLATING	4.PIN LENGTH OPTION
68	F: FEMALE	S: SELECTIVE G: GOLD FLASH A: 5u" INCH GOLD B: 10u" INCH GOLD C: 15u" INCH GOLD D: 30u" INCH GOLD	A: PIN LENGTH 7.11mm B: PIN LENGTH 4.39mm
5.MOUNTING METHOD	6.SPECIAL OPTION	7.ACCESSORIES	8.INSULATOR COLOR
A: THREAD INSERT 2-56 UNC B: THREAD INSERT 4-40 UNC C: THREAD INSERT M3 D: THREAD INSERT M2.6	A: WITH FRONT LATCH B: WITHOUT FRONT LATCH	A: NON ACCESSORIES B: ADD ROUND-SCREW (TYPE A) C: ADD ROUND-SCREW (TYPE B) D: ADD HEX-SCREW (TYPE C)	1. BLACK