

A40a

CRIMP TERMINAL FOR A40

PITCH: 2.54mm

SPECIFICATIONS

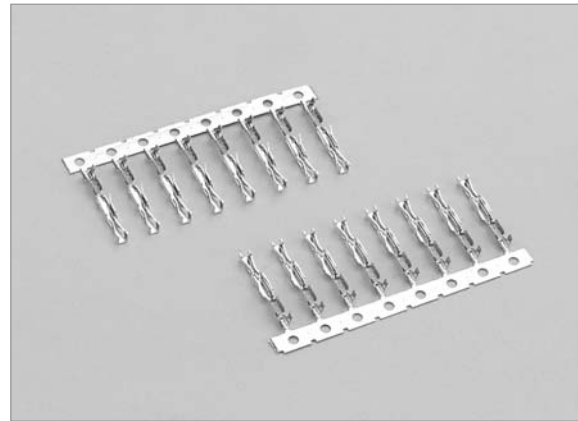
Material

Contact: Phosphor Bronze

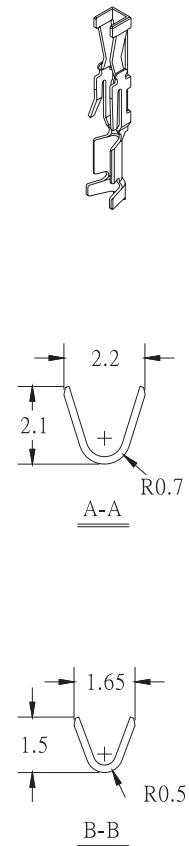
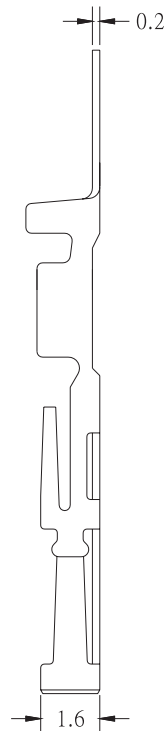
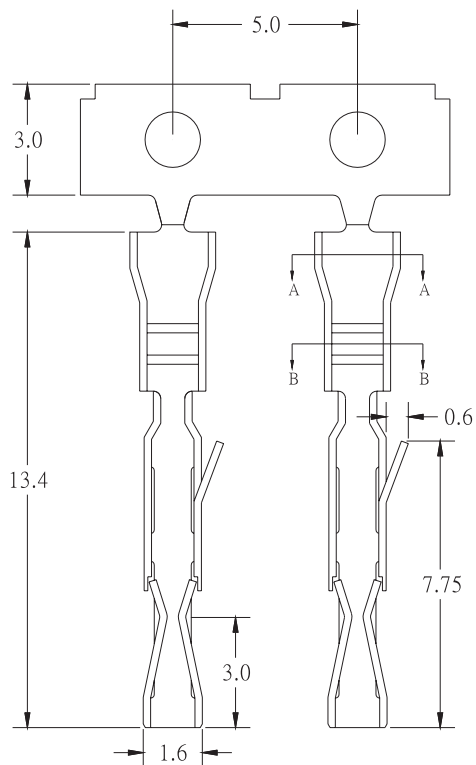
Wire Range : AWG#24 - 28

Insulation O.D. : 0.8 - 1.5mm

◆ Crimp Housing mating : A40 series.



A



HOW TO ORDER:

A40a - -

1.CONTACT MATERIAL	2.CONTACT PLATING
B: PHOSPHOR BRONZE	T: TIN PLATED S: SELECTIVE G: GOLD FLASH A: 5u" INCH GOLD B: 10u" INCH GOLD C: 15u" INCH GOLD D: 30u" INCH GOLD