

# A03a

## IDC SOCKET (DUAL WIPE CONTACT)

PITCH: 2.54mm

### SPECIFICATIONS

#### Material

Insulator : PBT, glass reinforced, rated UL 94V-0

Contact : Phosphor Bronze or Brass

#### Electrical

Current Rating : 1 Amp

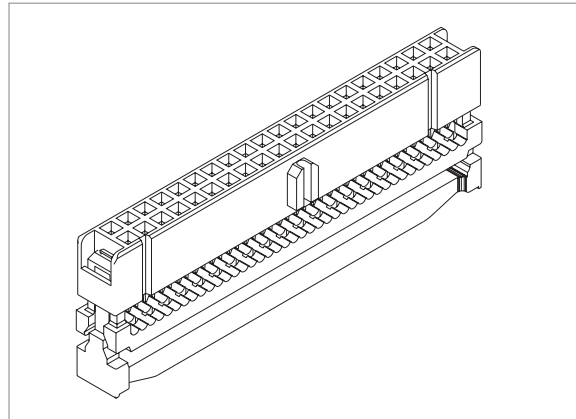
Contact Resistance : 30 mΩ max.

Insulation Resistance : 3000 MΩ min.

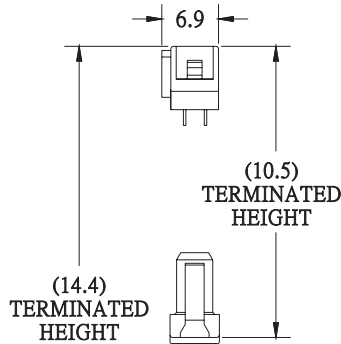
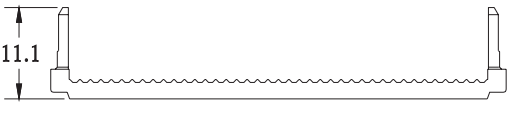
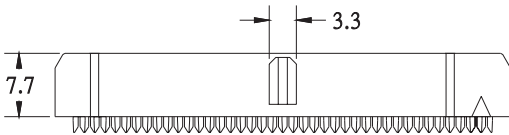
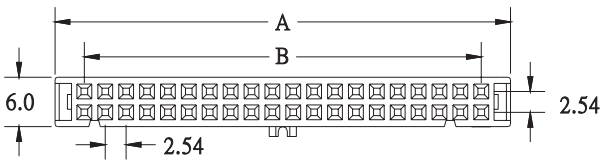
Dielectric Withstanding Voltage : 500V AC for 1minute

Operating Temperature : -40°C to +105°C

- ◆ Terminated with 1.27mm pitch flat ribbon cable.
- ◆ Mating Suggestion : C01b, C01f, C02b & C02c series.



A



POSITION	A	B
6	12.20	5.08
8	14.74	7.62
10	17.28	10.16
12	19.82	12.70
14	22.36	15.24
16	24.90	17.78
20	29.98	22.86
24	35.06	27.94
26	37.60	30.48
30	42.68	35.56
34	47.76	40.64
36	50.30	43.18
40	55.38	48.26
44	60.46	53.34
50	68.08	60.96
60	80.78	73.66
64	85.86	78.74

### HOW TO ORDER:

A03a -  1 -  2 -  3 -  4 -  5

1.NO. OF CONTACT	2.CONTACT MATERIAL	3.CONTACT PLATING	4.SPECIAL FUNCTION	5.INSULATOR COLOR
06 08 10 12 14 16 20 24 26 30 34 36 40 44 50 60 64	A: BRASS B: PHOSPHOR BRONZE	T: TIN PLATED S: SELECTIVE G: GOLD FLASH A: 5u" INCH GOLD B: 10u" INCH GOLD C: 15u" INCH GOLD D: 30u" INCH GOLD	A: W STRAIN RELIEF W BAR B: W/O STRAIN RELIEF W BAR C: W STRAIN RELIEF W/O BAR D: W/O STRAIN RELIEF W/O BAR	1. BLACK 2. GREY